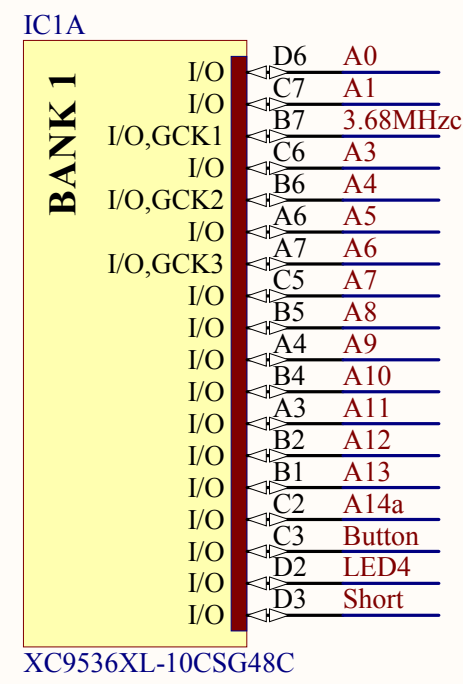
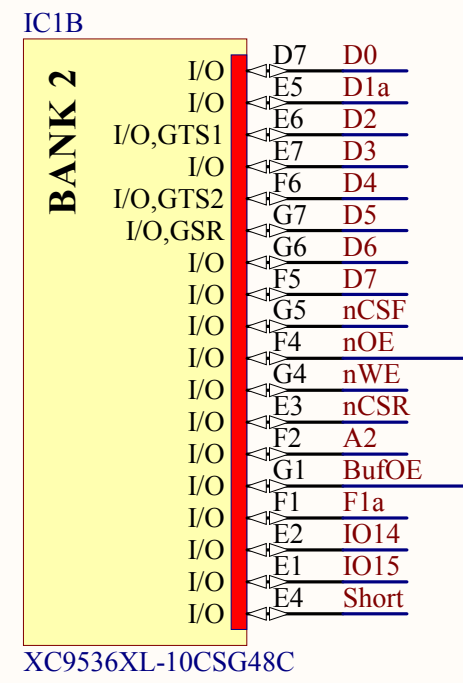


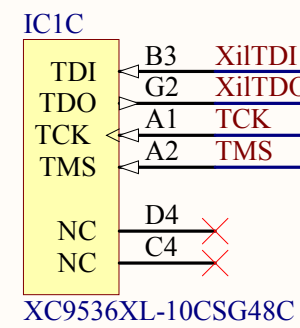
CPLD (JTAG)



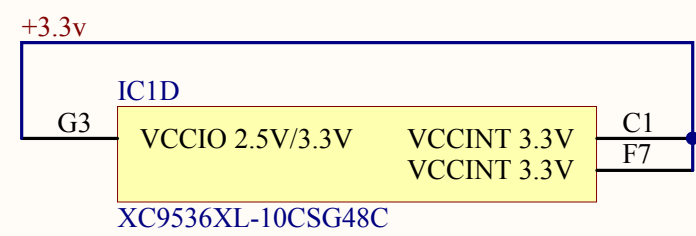
XC9536XL-10CSG48C



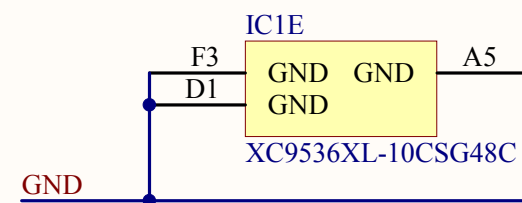
XC9536XL-10CSG48C



XC9536XL-10CSG48C

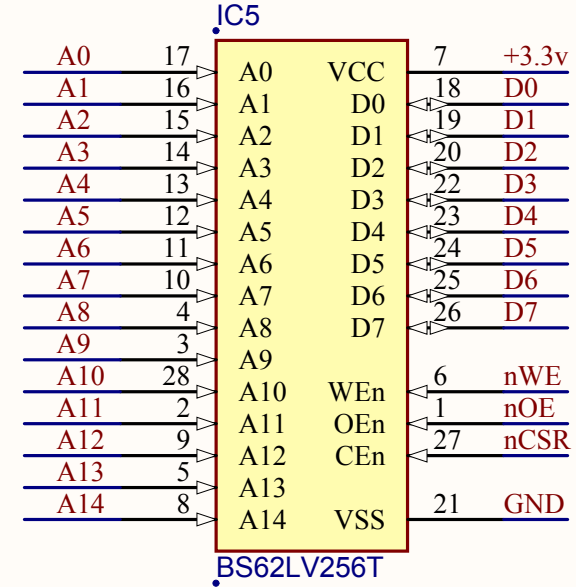


XC9536XL-10CSG48C



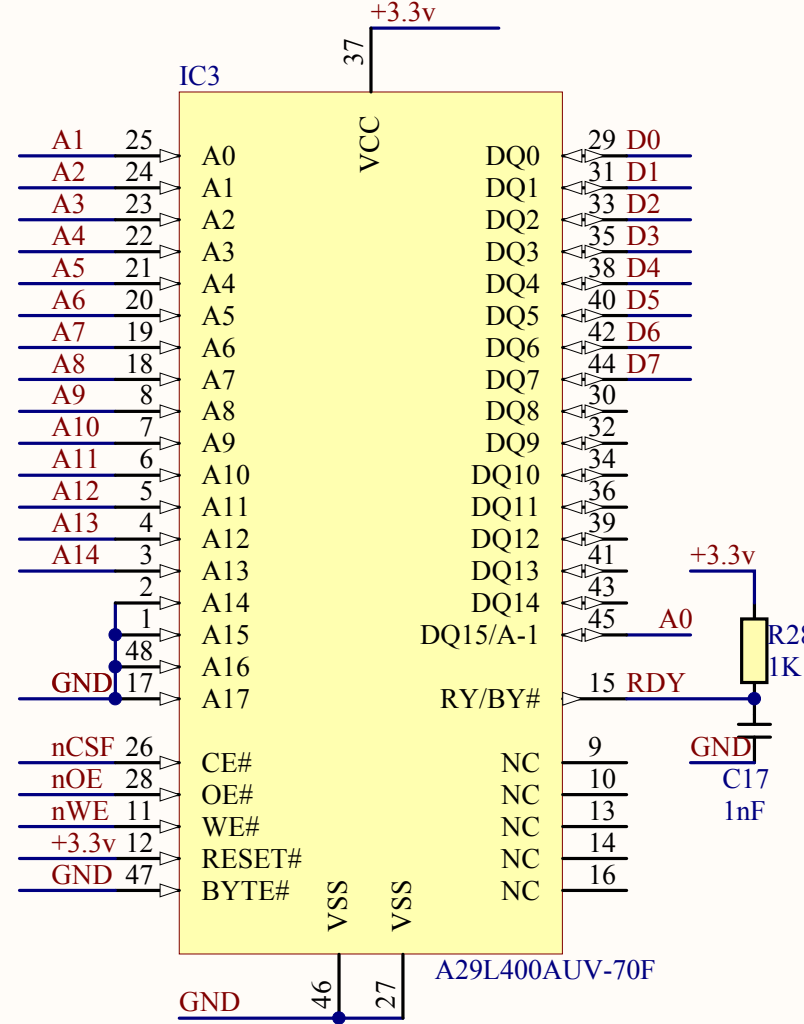
XC9536XL-10CSG48C

SRAM



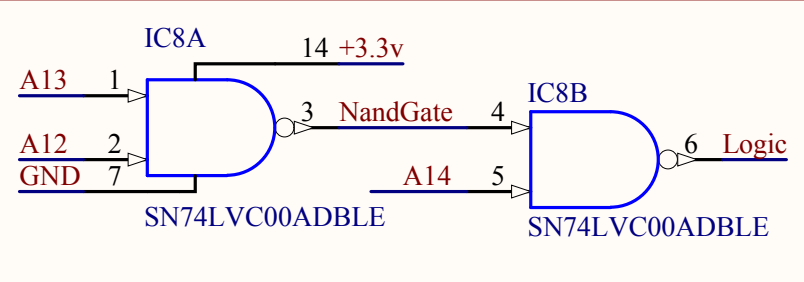
BS62LV256T

FLASH

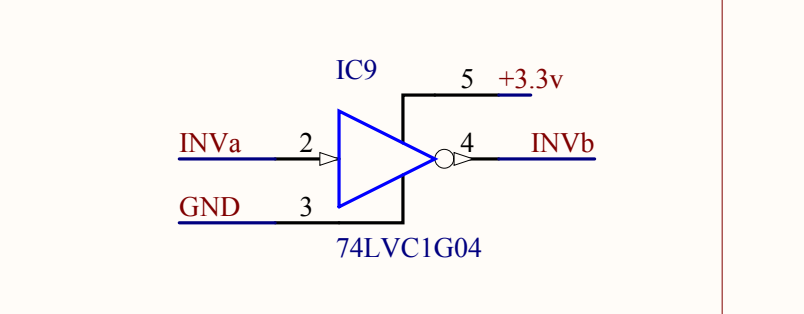


A29L400AUV-70F

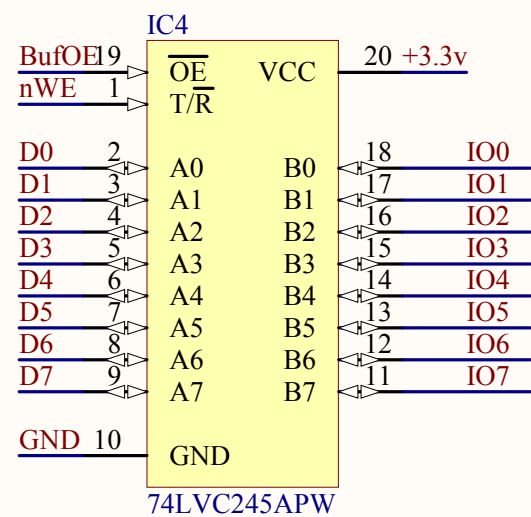
Logic Gates



Inverter

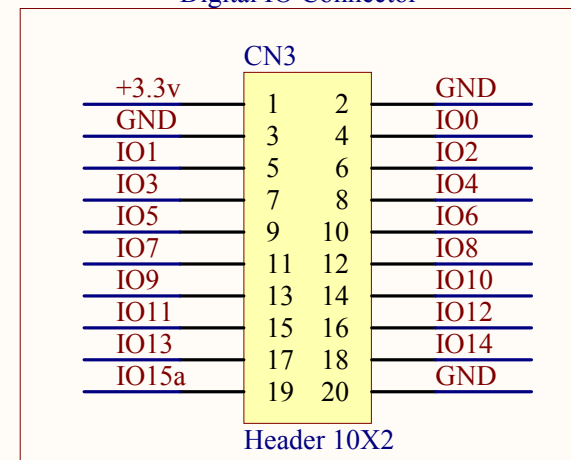


74245 bus transceiver



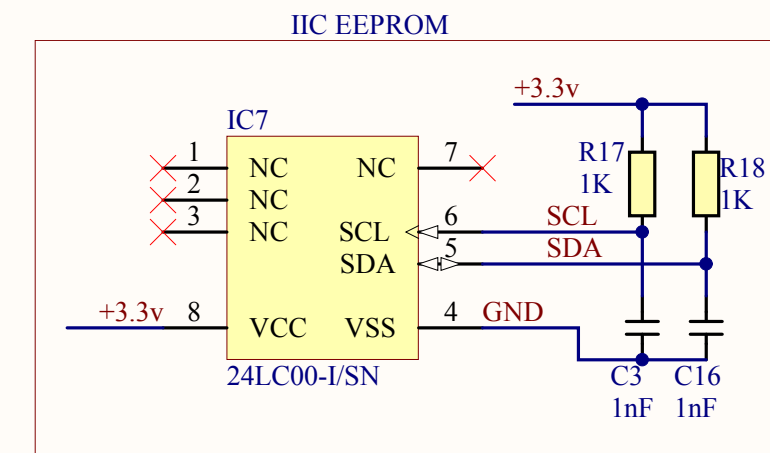
74LVC245APW

Digital IO Connector



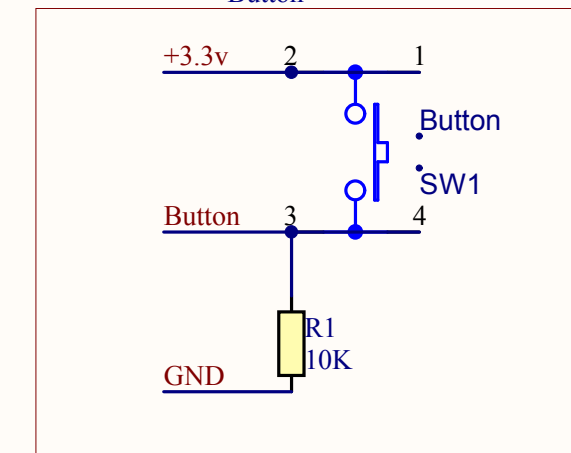
Header 10X2

IIC EEPROM

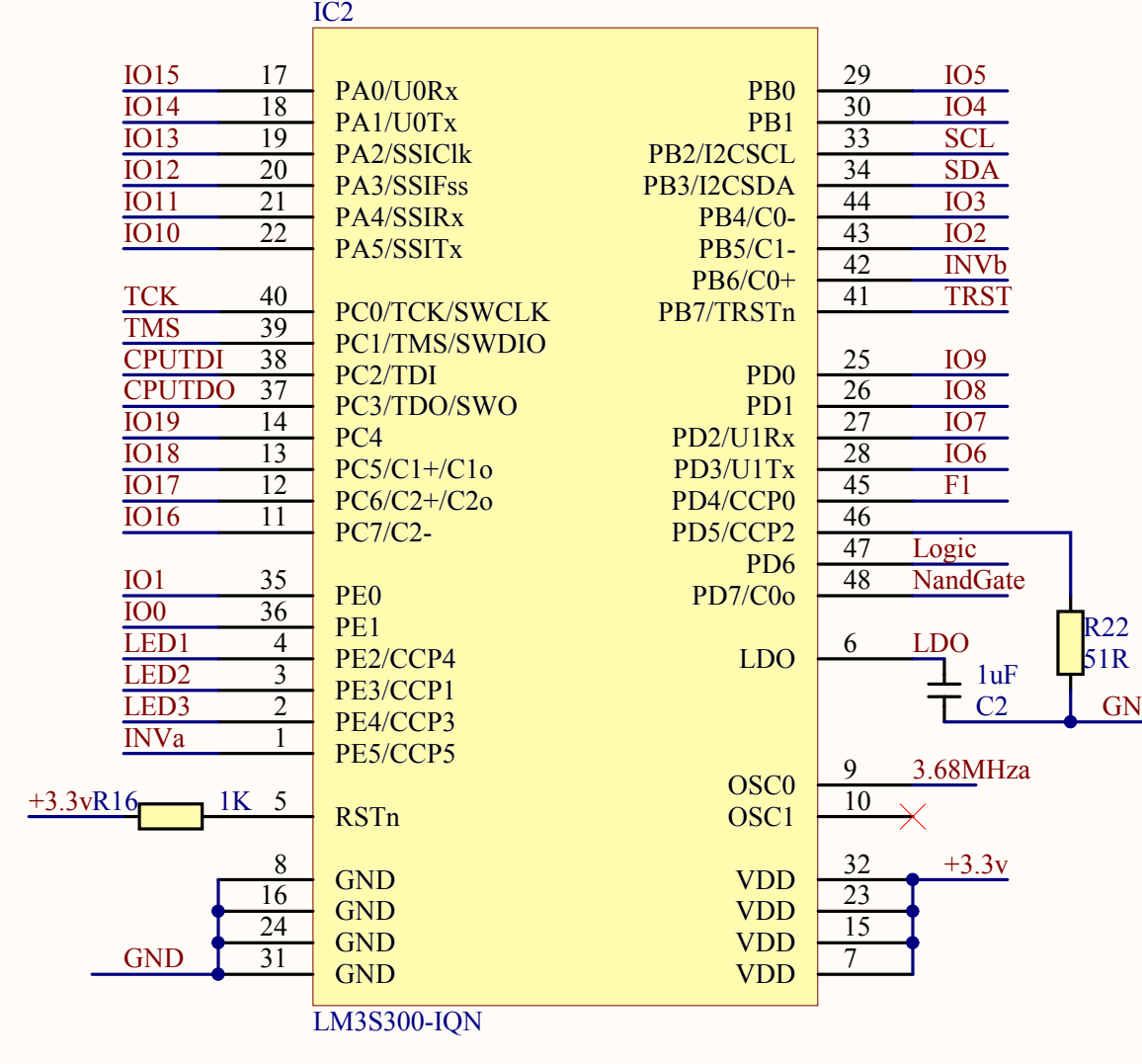


24LC00-I/SN

Button

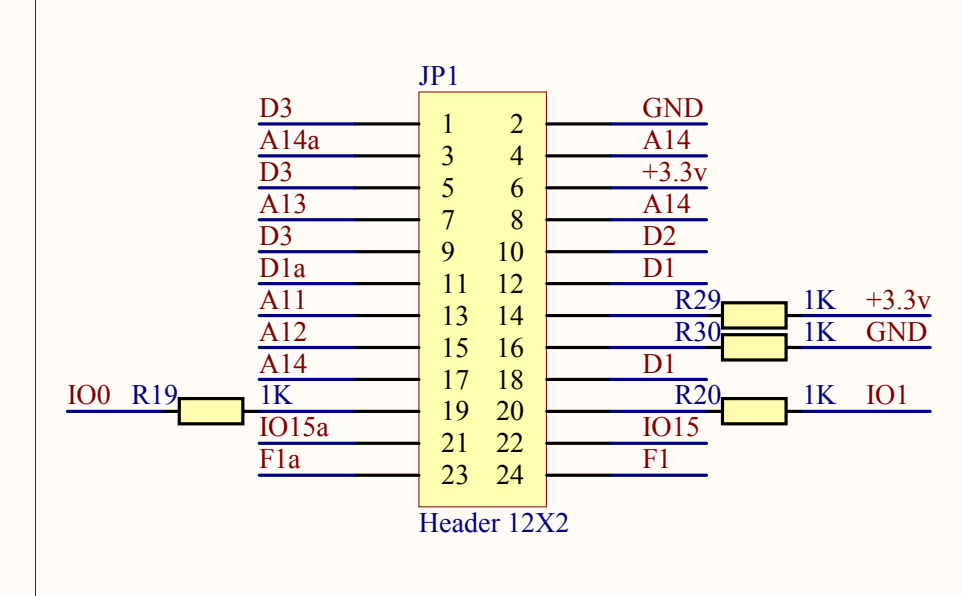


CPU (JTAG)



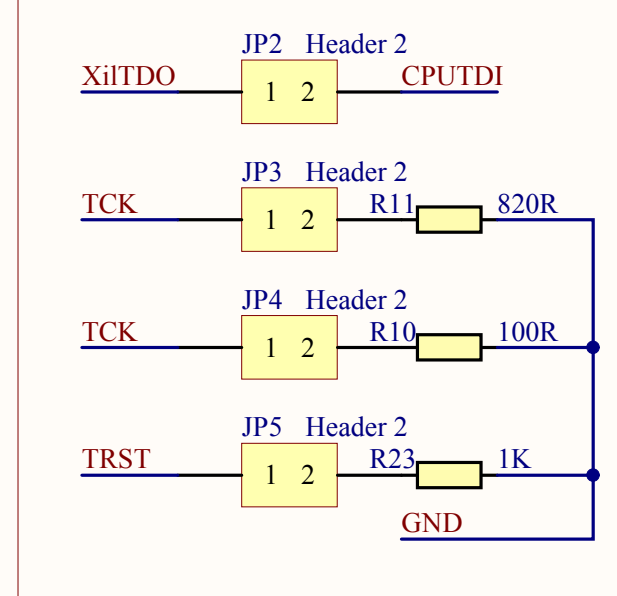
LM3S300-IQN

Fault Creation Jumpers



Header 12X2

JTAG Chain Options



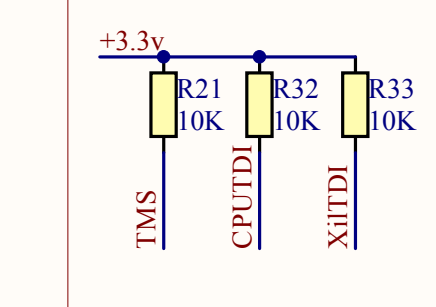
JTAG Chain options

- JP2 Link Chains Default Jumper
- JP3 TCK Term820R
- JP4 TCK Term100R Default Jumper
- JP5 TRST Pulldown

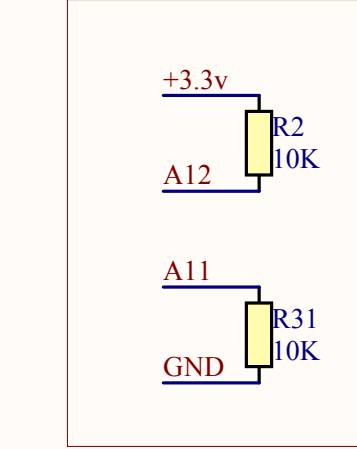
Fault Simulation

- D3 Stuck 0 Default Jumper
- A14 Open Default Jumper
- D3 Stuck 1
- A13 A14 Short
- D3 D2 Short
- D1 Open Default Jumper
- A11 Pull 1
- A12 Pull 0
- A14 D1 Short
- Indirect Short
- IO15 Open Default Jumper
- F1 Open Default Jumper

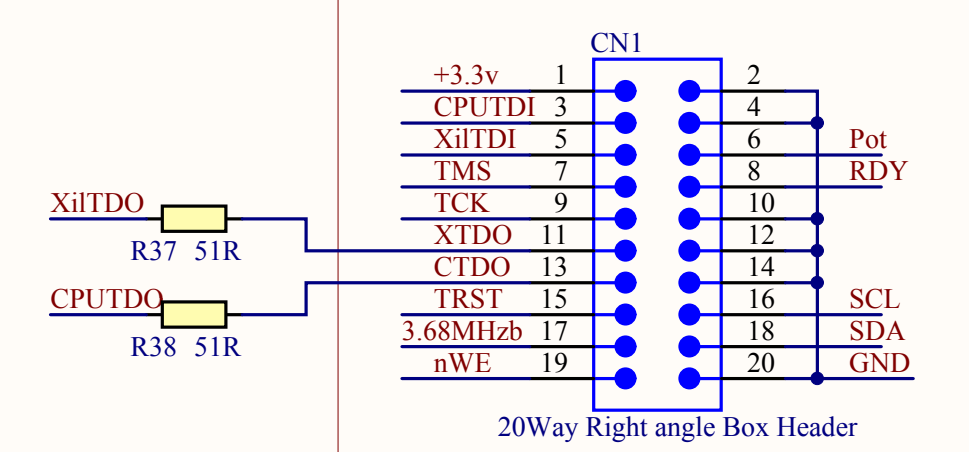
JTAG Pullups



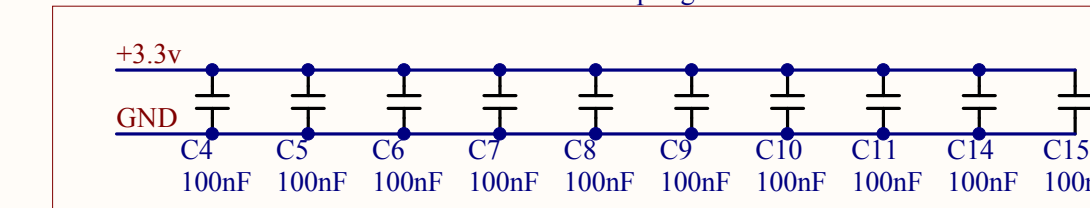
Pull Resistors



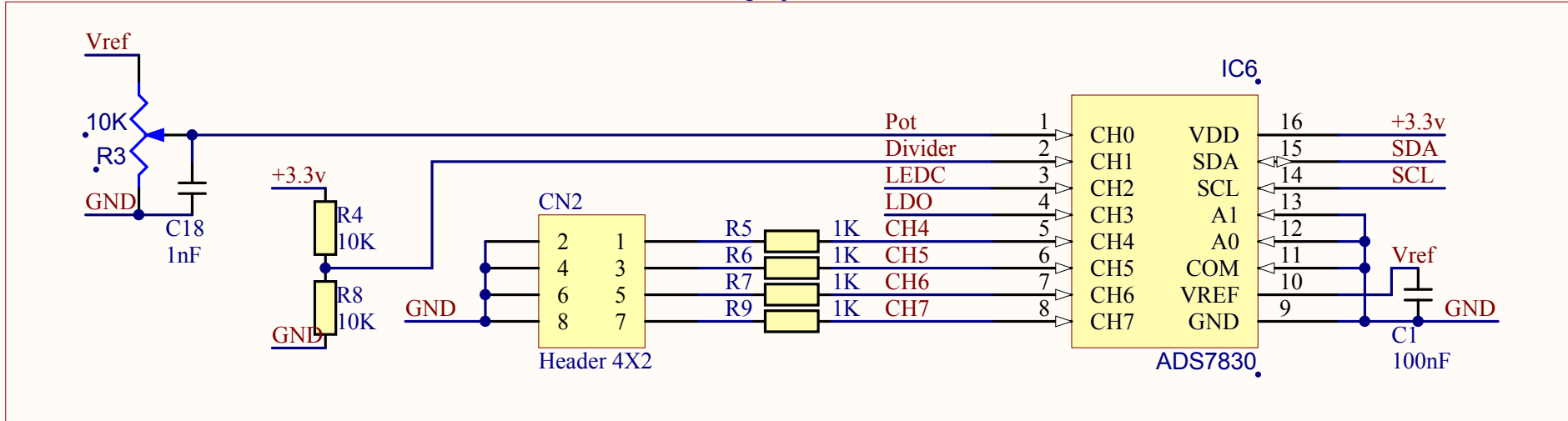
JTAG Connector



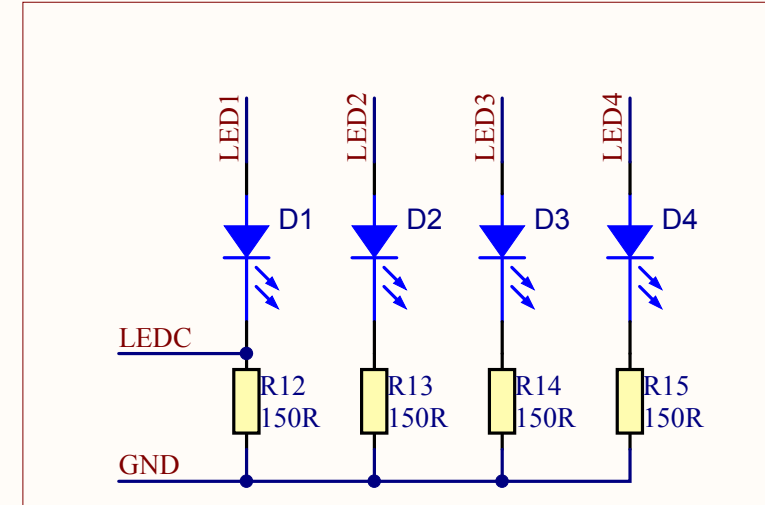
Decoupling



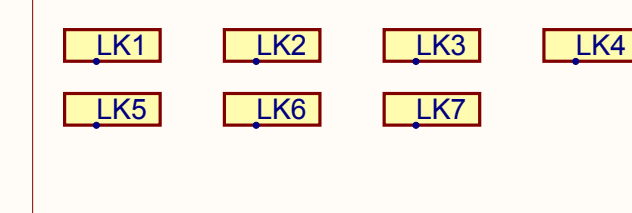
ADC and Analog Inputs



LEDs



Jumpers Required for board



Title			<b>XJTAG Demo Board</b>		
			(c) XJTAG Ltd 2010		
Size	Number		Revision		
A3					
Date:	11/11/2010		Sheet of		
File:	E:\xjtag-cvs\...\DemoBoard.SchDoc		Drawn By:		